

NEW

High Voltage Power Supply

EP series

2kV, 5kV

Most compact design in its class

Power supplies for preamplifier are integrated (± 15 V, ± 5 V output)

Ultra low ripple noise of as low as 15 mVp-p



EP series

2 kV, 5 kV



High Voltage Power Supply

EP series is high performance high voltage power supply for PMT, Electron multiplier application. Ultra compact size of just 8.35-inch(212 mm) width integrated HV power supply and power supply for preamplifier ± 15 V and ± 5 V. The ultra low ripple noise of as low as 15 mVp-p(HV output part) is suitable for PMT and various other applications. In addition, various digital control is also possible by selecting the -LGob option.

FEATURES

- Power supplies for preamplifier are integrated (± 15 V, ± 5 V output)
- Low ripple 15 mVp-p(2 kV models HV output part)
- Ultra compact design of the best in its class
- Large and noticeable 4-digit digital meter
- Full protections

LINEUP

MODEL	Output voltage	Output current	Ripple
EP-2P2	0 to +2 kV	2 mA	15 mVp-p
EP-2N2	0 to -2 kV	2 mA	15 mVp-p
EP-5P1	0 to +5 kV	1 mA	50 mVp-p
EP-5N1	0 to -5 kV	1 mA	50 mVp-p

SPECIFICATIONS

Input voltage / current 115 VAC ± 10 % 50 / 60 Hz single phase 0.5 A

Output voltage control Front panel rotary encoder

Regulation Line : 0.005 % of maximum output for ± 10 % input line change
Load : 0.02 % of maximum output for 10 to 100 % load change

Stability 0.01 % / Hr

Temperature coef. 70 ppm / $^{\circ}$ C

Output display Output voltage : 4-digit digital meter (accuracy : 0.5 %F.S. ± 1 dgt)
Output current : 4-digit digital meter (accuracy : 0.5 %F.S. ± 1 dgt)

Protection Over voltage protection
Output voltage cut off at approx. 105 % of rated output
Over current protection
Output current cut off at approx. 105 % of rated output

Output connector SHV type receptacle

Operation temp. 0 to +40 $^{\circ}$ C

Storage temp. -20 $^{\circ}$ C to +60 $^{\circ}$ C

Humidity 20 % to 80 %RH(no condensation)

Accessories AC input cable three phase 2.5 m length(1)
Shielded HV output cable 2.5 m length(1)
Instruction manual(1)

SPECIFICATION FOR LOW VOLTAGE POWER SUPPLIES

	± 5 V output	± 15 V output
Output voltage	± 5 V ± 5 %	± 15 V ± 5 %
Output current	500 mA	200 mA
Ripple	3 mVp-p	3 mVp-p
Regulation (for ± 10 % input line change)	± 0.1 %	± 0.1 %
Regulation (for ± 10 % to 100 % load change)	± 1 %	± 0.5 %
Stability	± 0.05 % / Hr	± 0.05 % / Hr
Temperature coef.	100 ppm / $^{\circ}$ C	50 ppm / $^{\circ}$ C

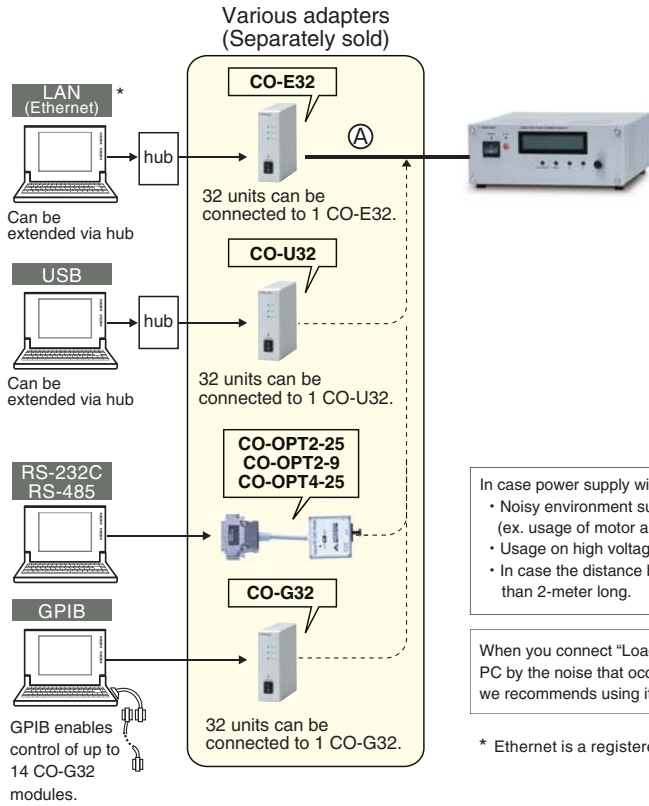
OPTION

-LGob : Optical Interface Board

- LGob : Optical Interface Board + 2 meters long optical cable
- LGob(Fc5) : Optical Interface Board + 5 meters long optical cable
- LGob(Fc10) : Optical Interface Board + 10 meters long optical cable

- LGob(Fc20) : Optical Interface Board + 20 meters long optical cable
- LGob(Fc40) : Optical Interface Board + 40 meters long optical cable

It is isolated by optical communication. It makes it possible to prevent malfunction caused by transient phenomenon such as surge, lightning, induction, and external noise due to perfectly isolated by optical fiber.



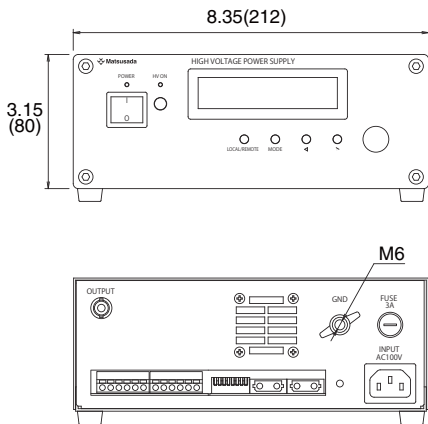
In case power supply will be use following condition, make sure this options selected.

- Noisy environment such as factories.
(ex. usage of motor and coil around load or power supply)
- Usage on high voltage floating (more than 250 V)
- In case the distance between power supply and controller (PC or PLC) is longer than 2-meter long.

When you connect "Load", "EP series" and "PC", if you prevent the influence on the PC by the noise that occurred with load, please choose -LGob option. With that in mind, we recommends using it combining our adapter (separated item).

* Ethernet is a registered trademark of Xerox Corporation.

DIMENSIONS inch(mm)



	D
+2kV, -2kV output model	10.66 (270.8)
+5kV, -5kV output model	12.83 (325.8)

